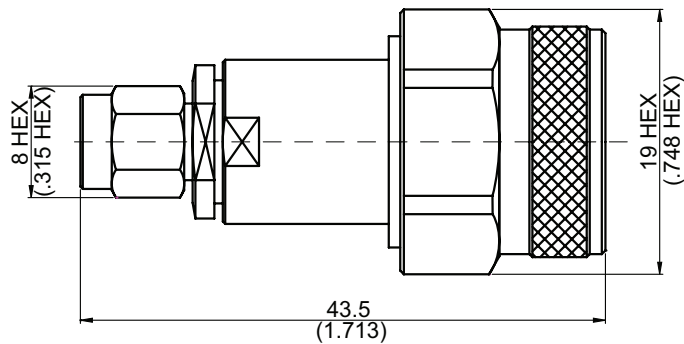


ADS-A3NA3-18-1.2

**Stainless SMA Plug To N Plug
18 GHz VSWR 1.2**

50Ω



Note : N plug has Semi-Hex coupling nut ; VSWR 1.2 Max up to 18 GHz

Parts	Material	Plating (Micro-inch)
Gasket	Silicon	
Retainer Ring	Beryllium Copper	Tin-Zinc-Copper-Alloy 100 Over Copper 50
Body	Stainless Steel	Passivated
Insulator	P.P.O	
Holder	Brass	Tin-Zinc-Copper-Alloy 100 Over Copper 50
Ferrule	Brass	Tin-Zinc-Copper-Alloy 100 Over Copper 50
Contact Pin	Brass	Gold 20 Over Nickel 50 Over Copper 50
Insulator	Teflon	
Coupling Nut	Stainless Steel	Passivated

Weight: 37.65 g

This part number complies with RoHS.

Notice: JYEBAO reserves the right to make modifications deemed appropriate.