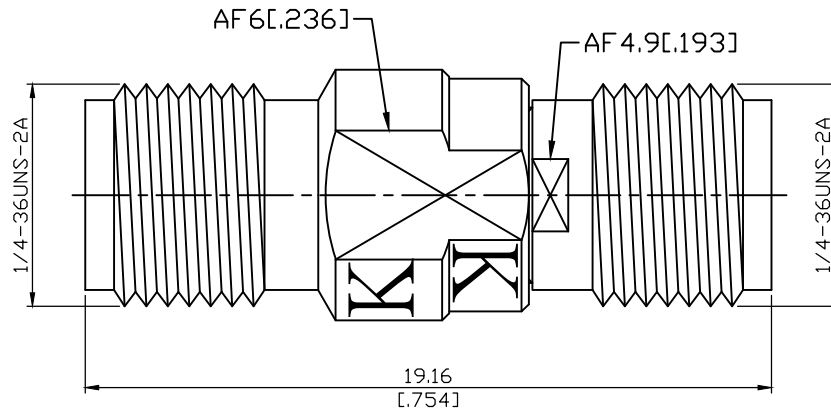


ADS-K8K8-1.25

2.92mm Jack To 2.92mm Jack 40GHz
VSWR1.25

50Ω



VSWR 1.25 : 1 Max up to 40GHz

| Parts | Material | Plating (Micro-inch) |
|-------------|------------------|---|
| Ferrule | Brass | Gold 4 Over Nickel-Phosphorus Alloy 80 Over Copper 20 |
| Contact Pin | Beryllium Copper | Gold 4 Over Nickel-Phosphorus Alloy 80 Over Copper 20 |
| Holder | Brass | Gold 4 Over Nickel-Phosphorus Alloy 80 Over Copper 20 |
| Insulator | PEI | |
| Body | Stainless Steel | Passivated |

This part number complies with RoHS.

Notice: JYEBAO reserves the right to make modifications demand appropriate.