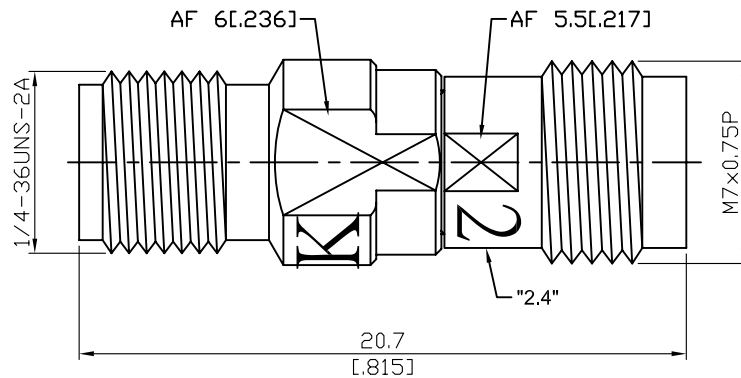


ADS-K8-2.4/8-1.25

2.92mm Jack To 2.4mm Jack  
40GHz VSWR 1.25

50Ω



VSWR 1.25 : 1 Max up to 40GHz

Parts	Material	Plating ( Micro-inch )
Contact Pin	Beryllium Copper	Gold 4 Over Nickel-Phosphorus Alloy 80 Over Copper 20
Insulator	PPO	
Body	Stainless Steel	Passivated

This part number complies with RoHS.

Notice: JYEBAO reserves the right to make modifications demand appropriate.