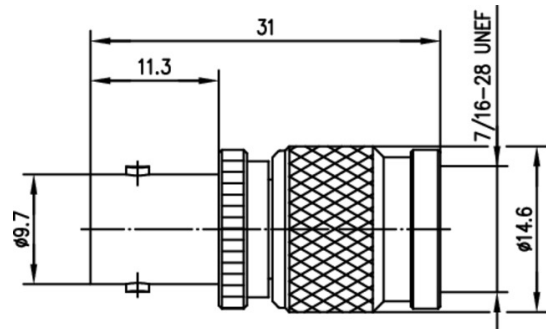


order number: J01019B0000

BNC to TNC f-m



Fig. may differ



Technical Attributes	
Type	BNC (f)/TNC (m)
Max. Frequency	4 GHz
Return Loss	33dB/1GHz; 28dB/2GHz; 20dB/4GHz
Life	≥ 500

### Description of the Series/Product Category

Notice: The following information refer to the series/product category as a whole. Please see the specific datasheet for specific technical information of a particular product.

The BNC series is the most commonly used coax connector. With its bayonet coupling mechanism this connector can be used up to 4 GHz. Both 50 and 75 Ω impedances are available. Connector styles are available for flexible, conformable and semi-rigid cable types. Versions of the BNC connector are available for mounting to printed circuit boards using both through-hole soldered and through-hole press-fit techniques. Both crimp and clamp cable ter...

Mating face sealing for BNC connectors between plug and jack (mated) according to IP 54. The classifications are general statements for the relevant series. Individual connectors may deviate from the values shown. If in doubt, please consult our engineers.

Mechanical Characteristics	
Durability (Steckungen)	≥ 500
Material: spring contacts	CuBe2; CuPb1.15Ni1
Material: outer conductor	CuZn39Pb3
Material: other metal parts	CuZn39Pb3

Material: insulators	PTFE; PE
Material: gaskets	Silicone
Finish: Inner conductor	Cu1Ni2Au0.8
Finish: Outer conductor	Cu2Ni5 (Nickel); Ag2CuSnZn0.5 (Optargen)
Finish: Other metal parts	Cu2Ni5

Climatic Characteristics	
Types with PTFE insulator	40/155/21
Types with PE insulator	40/75/21

Electrical Characteristics	
Contact resistance inner conductor	$\leq 20 \text{ m}\Omega$
Contact resistance outer conductor	$\leq 5 \text{ m}\Omega$
Insulation resistance	$\geq 5 \text{ G}\Omega$
Voltage proof	1.5 kV <sub>eff</sub> /50 Hz
Impedance	50 $\Omega$ /(75 $\Omega$ )
Return loss: Straight style	$\geq 20 \text{ dB}/3 \text{ GHz}$ (50 $\Omega$ types)
Return loss: Angle style	$\geq 17.7 \text{ dB} / 3 \text{ GHz}$ (50 $\Omega$ types)
Working voltage	$\leq 500 \text{ V}_{\text{eff}}/50 \text{ Hz}$
Frequency range up to	4 GHz

Standards	
IEC 61 169-8	

### Note

Combination connectors and cable clamps can be utilised to create a further number of BNC connector variations.

### Note

Combination connectors and cable clamps can be utilised to create a further number of BNC connector variations.