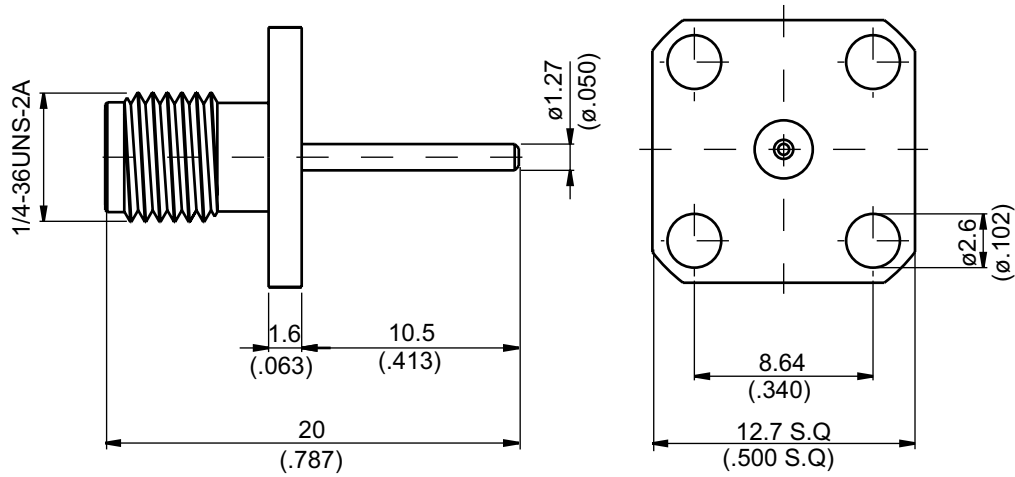


K864PN-0000

K Jack For Panel Receptacle 50Ω



Parts	Material	Plating (Micro-inch)
Contact Pin	Beryllium Copper	Gold 20 Over Nickel 50 Over Copper 50
Insulator	Polyphenylene Oxide Noryl	
Body	Stainless	Passivated

Weight: 2.6 g

This part number complies with RoHS.

Notice: JYEBAO reserves the right to make modifications deemed appropriate.