

order number: J01021H1082

N Panel Receptacle, female

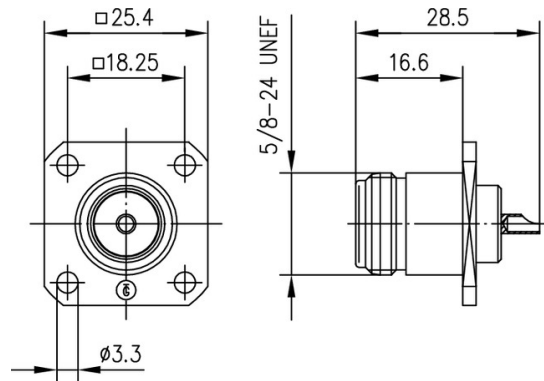
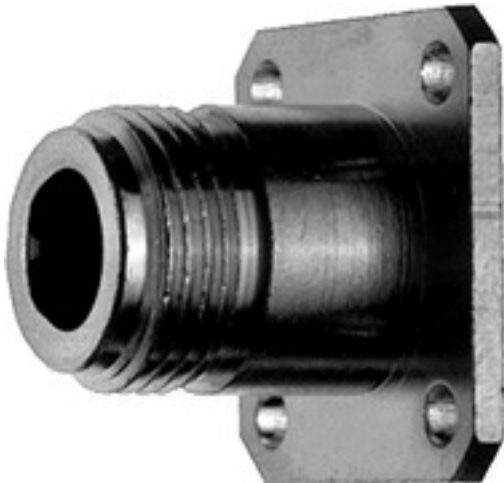


Fig. may differ

Technical Attributes	
Mount. dim.	Z08
MIL-Std.	UG 58/U

### Description of the Series/Product Category

Notice: The following information refer to the series/product category as a whole. Please see the specific datasheet for specific technical information of a particular product.

The N series is a very popular coax connector. It is a medium sized, precision, weatherproof connector supplied with a screw coupling. In some applications this connector can be used up to 11 GHz. Only 50 Ω impedances are available. Connector styles are available for flexible, conformable, semi-rigid and corrugated cable types. Both crimp and clamp cable termination processes are used for this series. Special design techniques for this series...

Mating face sealing for N connectors between plug and jack (mated) according to IP 68. The classifications are general statements for the relevant series. Individual connectors may deviate from the values shown. If in doubt, please consult our engineers.

Mechanical Characteristics	
Recommended coupling torque	4 - 6 Nm
Durability (Steckungen)	≥ 500
Material: spring contacts	CuBe2, CuNi1Pb1P(C97)

Material: outer conductor	CuZn39Pb3
Material: other metal parts	CuZn39Pb3
Material: insulators	PTFE
Material: gaskets	Silicone, NBR
Finish: Inner conductor	Cu2Ag5
Finish: Outer conductor	CuSnZn3 (Telealloy); Ag2CuSnZn0.5 (Optargen)
Finish: Other metal parts	CuSnZn3 (Telealloy), Cu2Ni5

Climatic Characteristics	
Climatic category acc. to IEC 60068 - 1	55/155/21

Electrical Characteristics	
Contact resistance inner conductor	$\leq 1.5 \text{ m}\Omega$
Contact resistance outer conductor	$\leq 1 \text{ m}\Omega$
Insulation resistance	$\geq 5 \text{ G}\Omega$
Voltage proof	2.5 kV <sub>eff</sub> /50 Hz
Impedance	50 $\Omega$
Return loss: Straight style	$\geq 30.5 \text{ dB}/1 \text{ GHz}$
Return loss: Angle style	$\geq 30.5 \text{ dB} / 1 \text{ GHz}$
Working voltage	$\leq 1 \text{ kV}_{\text{eff}}/50 \text{ Hz}$
Frequency range up to	11 GHz

Standards
IEC 61 169-16

### Note

Combination connectors and cable clamps can be utilised to create a further number of N connector variations.

RF cable assemblies with N connectors upon request.

### Note

Combination connectors and cable clamps can be utilised to create a further number of N connector variations.

RF cable assemblies with N connectors upon request.