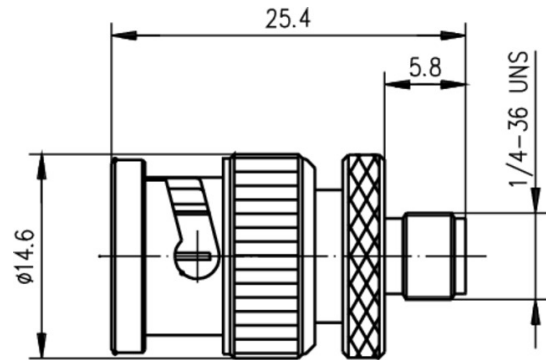


order number: J01008A0017

BNC to SMA m-f, r



Fig. may differ



| Technical Attributes | |
|----------------------|---------------------------------|
| Type | BNC (m)/SMA (f) |
| Max. Frequency | 4 GHz |
| Return Loss | 33dB/1GHz; 31dB/2GHz; 29dB/4GHz |
| Life | ≥ 500 |

Description of the Series/Product Category

Notice: The following information refer to the series/product category as a whole. Please see the specific datasheet for specific technical information of a particular product.

The BNC series is the most commonly used coax connector. With its bayonet coupling mechanism this connector can be used up to 4 GHz. Both 50 and 75 Ω impedances are available. Connector styles are available for flexible, conformable and semi-rigid cable types. Versions of the BNC connector are available for mounting to printed circuit boards using both through-hole soldered and through-hole press-fit techniques. Both crimp and clamp cable ter...

Mating face sealing for BNC connectors between plug and jack (mated)

according to IP 54. The classifications are general statements for the relevant series. Individual connectors may deviate from the values shown. If in doubt, please consult our engineers.

| Mechanical Characteristics | |
|-----------------------------|--|
| Durability (Steckungen) | ≥ 500 |
| Material: spring contacts | CuBe2; CuPb1.15Ni1 |
| Material: outer conductor | CuZn39Pb3 |
| Material: other metal parts | CuZn39Pb3 |
| Material: insulators | PTFE; PE |
| Material: gaskets | Silicone |
| Finish: Inner conductor | Cu1Ni2Au0.8 |
| Finish: Outer conductor | Cu2Ni5 (Nickel); Ag2CuSnZn0.5 (Optargen) |
| Finish: Other metal parts | Cu2Ni5 |

| Climatic Characteristics | |
|---------------------------|-----------|
| Types with PTFE insulator | 40/155/21 |
| Types with PE insulator | 40/75/21 |

| Electrical Characteristics | |
|------------------------------------|------------------------------|
| Contact resistance inner conductor | ≤ 20 mΩ |
| Contact resistance outer conductor | ≤ 5 mΩ |
| Insulation resistance | ≥ 5 GΩ |
| Voltage proof | 1.5 kV _{eff} /50 Hz |
| Impedance | 50 Ω/(75 Ω) |

| | |
|-----------------------------|--|
| Return loss: Straight style | ≥ 20 dB/3 GHz (50 Ω types) |
| Return loss: Angle style | ≥ 17.7 dB / 3 GHz (50 Ω types) |
| Working voltage | ≤ 500 V _{eff} /50 Hz |
| Frequency range up to | 4 GHz |

| |
|--------------|
| Standards |
| IEC 61 169-8 |

Note

Combination connectors and cable clamps can be utilised to create a further number of BNC connector variations.

Note

Combination connectors and cable clamps can be utilised to create a further number of BNC connector variations.