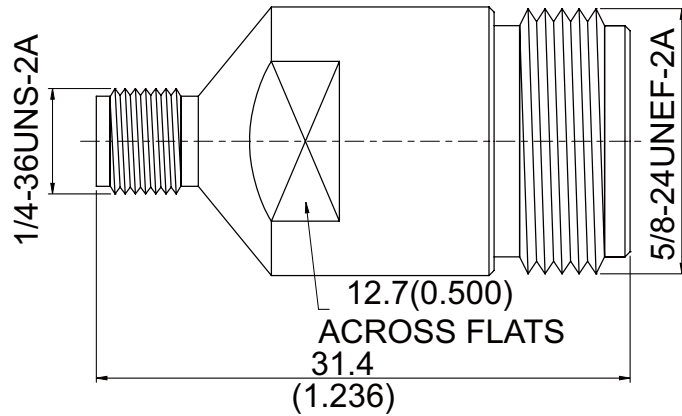


ADS-A8N8-18A-1.2	Stainless Precision SMA Jack To N Jack 18GHz VSWR 1.2	50Ω
------------------	------------------------------------------------------------------	------------



NOTE: VSWR 1.2:1 MAX UP TO 18 GHz.

Parts	Material	Plating (Micro-inch)
Contact Pin	Beryllium Copper	Gold 4 Over Nickel-Phosphorus Alloy 80 Over Copper 20
Insulator	Teflon	
Body	Stainless	Passivated

Weight: 19 g

This part number complies with RoHS.

Notice: JYBAO reserves the right to make modifications deemed appropriate.