

# Imported 2.92 (M) Terminations, 2W, 5W, 10W, 20W



Frequency: DC ~ 40 GHz

P/N: IHP-??-2.92 Series



Impedance : 50 Ω

Operating Temp : -55°C ~ 85°C

Ordering Code	Frequency (GHz)	VSWR (max)	Figure	Average Power (W)	Peak Power (kW)	Connector
IHP-K1-2-40-2.92	DC-40	1.35	Fig 1	2 <sup>1)</sup>	0.2kW (5us pulse width, 0.5% duty cycle)	2.92 (M)
IHP-K1-5-40-2.92	DC-40	1.35	Fig 2	5 <sup>2)</sup>	0.2kW (5us pulse width, 1.25% duty cycle)	2.92 (M)
IHP-K1-10-40-2.92	DC-40	1.35	Fig 3	10 <sup>3)</sup>	0.2kW (5us pulse width, 1.25% duty cycle)	2.92 (M)
IHP-K1-20-40-2.92	DC-40	1.35	Fig 4	20 <sup>4)</sup>	0.2kW (5us pulse width, 5% duty cycle)	2.92 (M)

- 1) Average Power at 25°C ambient temperature, derated linearly to 1W @125°C
- 2) Average Power at 25°C ambient temperature, derated linearly to 0.5W @125°C
- 3) Average Power at 25°C ambient temperature, derated linearly to 1W @125°C
- 4) Average Power at 25°C ambient temperature, derated linearly to 2W @125°C

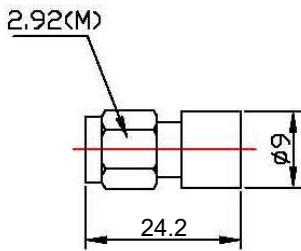


Fig 1

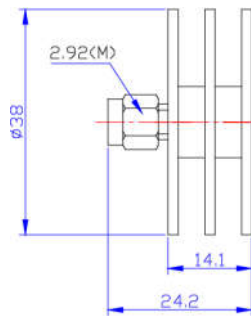


Fig 2

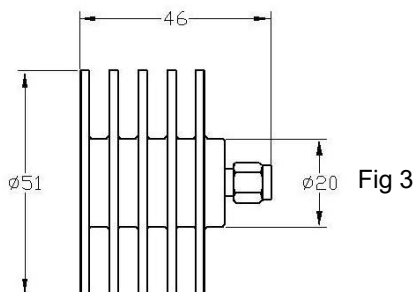


Fig 3

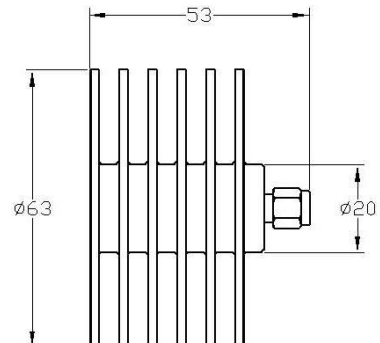


Fig 4

Cross reference is based on manufacturers datasheets and is indicative only. Customers have to verify themselves exact specifications. We accept no legal liability whatsoever for use of this cross reference by the customer. While the information, contained herein in this datasheet, has been carefully compiled to the best of our knowledge, nothing is intended as representation or warranty on our part and no statement herein shall be construed as recommendation to infringe existing patents. We accept no liability of whatsoever for any fault and errors in this datasheet. Contents of this datasheet and specifications of the products are subject to change without notice due to continuous improvement.

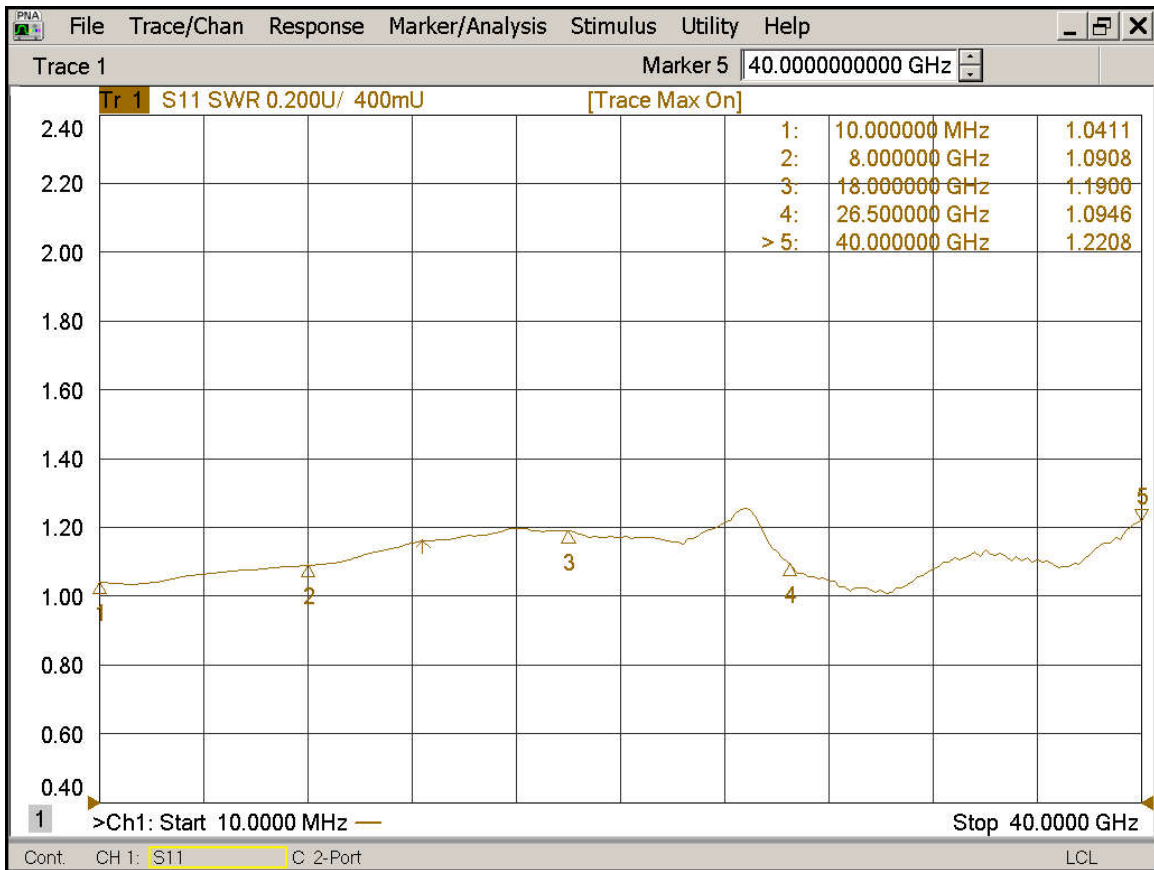
# Imported 2.92 (M) Terminations, 2W, 5W, 10W, 20W



Frequency: DC ~ 40 GHz

P/N: IHP-??-2.92 Series

## VNA Plot for IHP-K1-2-40-2.92-A Termination (2W/40GHz)



Cross reference is based on manufacturers datasheets and is indicative only. Customers have to verify themselves exact specifications. We accept no legal liability whatsoever for use of this cross reference by the customer. While the information, contained herein in this datasheet, has been carefully compiled to the best of our knowledge, nothing is intended as representation or warranty on our part and no statement herein shall be construed as recommendation to infringe existing patents. We accept no liability of whatsoever for any fault and errors in this datasheet. Contents of this datasheet and specifications of the products are subject to change without notice due to continuous improvement.