

These Expanded Beam Receptacle to SC/ST/LC/FC cable sets are designed for military applications 'inside-box'. The SC/ST/LC/FC side mates to the transceiver (or other equipment) inside the box. The expanded beam receptacle side is mounted on the box and is eventually mated with outside environment plug. We provide custom cable lengths, number of fibres and connectors as per choice like SC, ST, LC, FC, MT-RJ

FEATURES

- Number of Fiber Channels as per choice – 2 or 4
- Various combinations of MT-RJ, ST, FC, SC, LC to Expanded Beam Receptacle
- Custom cable type & lengths possible
- Singlemode 9/125um, Multimode 50/125um and 62.5/125um can be chosen

APPLICATIONS

- Enclosures in Radars, Military Systems, Ground Control Systems, Launchers etc
- Applications where equipment inside enclosures has to be connected to outside environment
- **Imported Expanded Beam** Receptacles
- Imported OFNR/OFNP Grade FO cable
- Imported Hi-End FC/ST/SC/LC connectors

How to Specify Part Numbers for Cable Sets:

STF-X - □ □ □ □ □ / □ □ □ □ □ - □ F / □ □ M / □ □ □ □ - □ □ □ □ □ - 00
A A A B C A A A B C N X X Y Y Y Y Z Z K K K

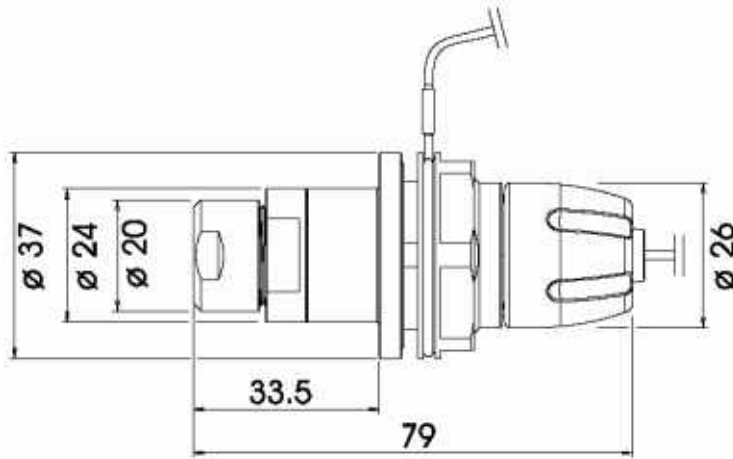
A	Connector Code	09 = ST SM; 11 = ST MM 50/125; 13 = ST MM 62.5/125; 15 = SC SM; 17 = SC MM 50/125; 19 = SC MM 62.5/125; 21 = LC SM; 23 = LC 50/125; 25 = LC MM 62.5/125; 27 = FC SM; 29 = FC MM 50/125; 31 = FC MM 62.5/125 9/125 X-Beam Square Flange Bulkhead: 215=2 Channel; 218=4 Channel 50/125 X-Beam Square Flange Bulkhead: 235=2 Channel; 238=4 Channel 62/125 X-Beam Square Flange Bulkhead: 225=2 Channel; 228=4 Channel 9/125 X-Beam D-Hole Bulkhead: 270=2 Channel; 274=4 Channel 50/125 X-Beam D-Hole Bulkhead: 310=2 Channel; 314=4 Channel 62/125 X-Beam D-Hole Bulkhead: 290=2 Channel; 294=4 Channel
B	Connector Type	Straight = S ; Jamnut Receptacle = J ; Wall Mount Receptacle = W; Square Flange Bulkhead Receptacle = B
C	Connector Style	Male/Plug = P ; Female = J
N	No. of Fibers in cable	2 = 2 fiber; 4 = 4 fiber
XX	2 digit code for Mode	9S = 9/125um singlemode ; 5M = 50/125um multimode; 6M = 62.5/125um multimode ; CM = 50/125 & 62.5/125 multimode
YYY	Length (meter/Km)	1 meter = 1M; 100 meter = 100M
ZZ	2 digit cable code	DI = Distribution Style ; BR = Breakout; RI = Riser
KKK	Cable class code	Breakout = 023; Distribution = 065; Riser = 120

1m Cable Set 9/125um, ST Plug ~ X-Beam Receptacle, 2 Fiber = STF-X-09SP/150SP-2F/9SM/1M-BR023-00

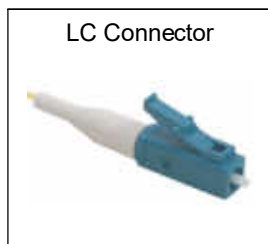
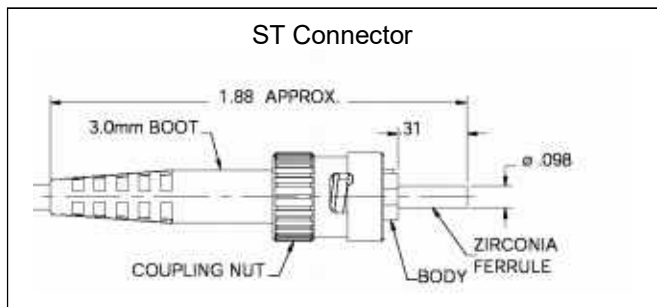
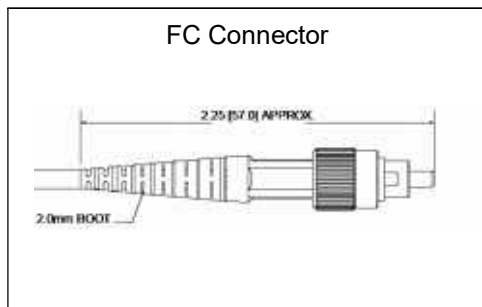
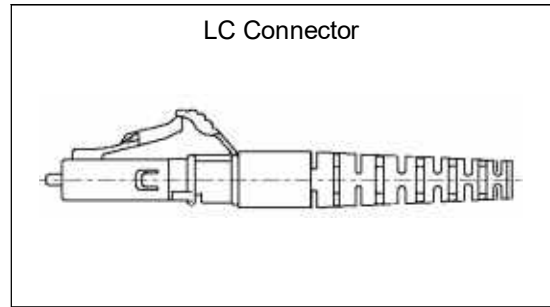
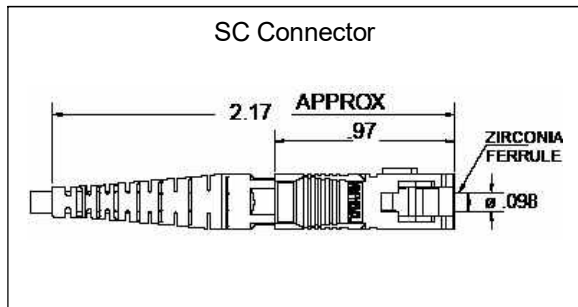
Shown trademarks are property of their respective owners.

While the information contained herein in this catalog, has been carefully compiled to the best of our knowledge, nothing is intended as representation and warranty on our part; and no statement shall be construed as recommendation to infringe any of existing patents. We accept no liability of whatsoever for any faults and errors in the information contained herein. Contents of this catalogue and specifications of the products, are subject to change without notice due to continuous improvements.

Connectors for Expanded Beam Receptacle – SC/ST/LC/FC Cable Sets



Expanded Beam Fiber Optic Bulkhead Receptacle



Shown trademarks are property of their respective owners.

While the information contained herein in this catalog, has been carefully compiled to the best of our knowledge, nothing is intended as representation and warranty on our part; and no statement shall be construed as recommendation to infringe any of existing patents. We accept no liability of whatsoever for any faults and errors in the information contained herein. Contents of this catalogue and specifications of the products, are subject to change without notice due to continuous improvements.

Expanded Beam Square Flange Bulkhead Receptacle - SC Fiber Optic Cable Sets

P/N for Fiber Optic Assembly	Mode	Size	No. of Fibers	Conn. 1	Conn. 2 (X-Beam)	Length Meter
STF-X-15SP/215BJ-2F/9SM/1M-BR023-00	Single	9/125	2	2xSC	Sq. Fl. Bulkhead	1
STF-X-15SP/218BJ-4F/9SM/1M- BR023-00	Single	9/125	4	4xSC	Sq. Fl. Bulkhead	1
STF-X-15SP/215BJ-2F/9SM/2M-BR023-00	Single	9/125	2	2xSC	Sq. Fl. Bulkhead	2
STF-X-15SP/218BJ-4F/9SM/2M- BR023-00	Single	9/125	4	4xSC	Sq. Fl. Bulkhead	2
STF-X-15SP/215BJ-2F/9SM/3M-BR023-00	Single	9/125	2	2xSC	Sq. Fl. Bulkhead	3
STF-X-15SP/218BJ-4F/9SM/3M- BR023-00	Single	9/125	4	4xSC	Sq. Fl. Bulkhead	3
STF-X-15SP/215BJ-2F/9SM/5M-BR023-00	Single	9/125	2	2xSC	Sq. Fl. Bulkhead	5
STF-X-15SP/218BJ-4F/9SM/5M- BR023-00	Single	9/125	4	4xSC	Sq. Fl. Bulkhead	5
STF-X-15SP/215BJ-2F/9SM/10M-BR023-00	Single	9/125	2	2xSC	Sq. Fl. Bulkhead	10
STF-X-15SP/218BJ-4F/9SM/10M- BR023-00	Single	9/125	4	4xSC	Sq. Fl. Bulkhead	10
STF-X-17SP/235BJ-2F/5MM/1M-BR023-00	Multi	50/125	2	2xSC	Sq. Fl. Bulkhead	1
STF-X-17SP/238BJ-4F/5MM/1M-BR023-00	Multi	50/125	4	4xSC	Sq. Fl. Bulkhead	1
STF-X-17SP/235BJ-2F/5MM/2M-BR023-00	Multi	50/125	2	2xSC	Sq. Fl. Bulkhead	2
STF-X-17SP/238BJ-4F/5MM/2M-BR023-00	Multi	50/125	4	4xSC	Sq. Fl. Bulkhead	2
STF-X-17SP/235BJ-2F/5MM/3M-BR023-00	Multi	50/125	2	2xSC	Sq. Fl. Bulkhead	3
STF-X-17SP/238BJ-4F/5MM/3M-BR023-00	Multi	50/125	4	4xSC	Sq. Fl. Bulkhead	3
STF-X-17SP/235BJ-2F/5MM/5M-BR023-00	Multi	50/125	2	2xSC	Sq. Fl. Bulkhead	5
STF-X-17SP/238BJ-4F/5MM/5M-BR023-00	Multi	50/125	4	4xSC	Sq. Fl. Bulkhead	5
STF-X-17SP/235BJ-2F/5MM/10M-BR023-00	Multi	50/125	2	2xSC	Sq. Fl. Bulkhead	10
STF-X-17SP/238BJ-4F/5MM/10M-BR023-00	Multi	50/125	4	4xSC	Sq. Fl. Bulkhead	10
STF-X-19SP/225BJ-2F/6MM/1M-BR023-00	Multi	62.5/125	2	2xSC	Sq. Fl. Bulkhead	1
STF-X-19SP/228BJ-4F/6MM/1M-BR023-00	Multi	62.5/125	4	4xSC	Sq. Fl. Bulkhead	1
STF-X-19SP/225BJ-2F/6MM/2M-BR023-00	Multi	62.5/125	2	2xSC	Sq. Fl. Bulkhead	2
STF-X-19SP/228BJ-4F/6MM/2M-BR023-00	Multi	62.5/125	4	4xSC	Sq. Fl. Bulkhead	2
STF-X-19SP/225BJ-2F/6MM/3M-BR023-00	Multi	62.5/125	2	2xSC	Sq. Fl. Bulkhead	3
STF-X-19SP/228BJ-4F/6MM/3M-BR023-00	Multi	62.5/125	4	4xSC	Sq. Fl. Bulkhead	3
STF-X-19SP/225BJ-2F/6MM/5M-BR023-00	Multi	62.5/125	2	2xSC	Sq. Fl. Bulkhead	5
STF-X-19SP/228BJ-4F/6MM/5M-BR023-00	Multi	62.5/125	4	4xSC	Sq. Fl. Bulkhead	5
STF-X-19SP/225BJ-2F/6MM/10M-BR023-00	Multi	62.5/125	2	2xSC	Sq. Fl. Bulkhead	10
STF-X-19SP/228BJ-4F/6MM/10M-BR023-00	Multi	62.5/125	4	4xSC	Sq. Fl. Bulkhead	10

Shown trademarks are property of their respective owners.

While the information contained herein in this catalogue, has been carefully compiled to the best of our knowledge, nothing is intended as representation and warranty on our part; and no statement shall be construed as recommendation to infringe any of existing patents. We accept no liability of whatsoever for any faults and errors in the information contained herein. Contents of this catalogue and specifications of the products, are subject to change without notice due to continuous improvements.

Expanded Beam Square Flange Bulkhead Receptacle - LC Fiber Optic Cable Sets

P/N for Fiber Optic Assembly	Mode	Size	No. of Fibers	Conn. 1	Conn. 2 (X-Beam)	Length Meter
STF-X-21SP/215BJ-2F/9SM/1M-BR023-00	Single	9/125	2	2xLC	Sq. Fl. Bulkhead	1
STF-X-21SP/218BJ-4F/9SM/1M- BR023-00	Single	9/125	4	4xLC	Sq. Fl. Bulkhead	1
STF-X-21SP/215BJ-2F/9SM/2M-BR023-00	Single	9/125	2	2xLC	Sq. Fl. Bulkhead	2
STF-X-21SP/218BJ-4F/9SM/2M- BR023-00	Single	9/125	4	4xLC	Sq. Fl. Bulkhead	2
STF-X-21SP/215BJ-2F/9SM/3M-BR023-00	Single	9/125	2	2xLC	Sq. Fl. Bulkhead	3
STF-X-21SP/218BJ-4F/9SM/3M- BR023-00	Single	9/125	4	4xLC	Sq. Fl. Bulkhead	3
STF-X-21SP/215BJ-2F/9SM/5M-BR023-00	Single	9/125	2	2xLC	Sq. Fl. Bulkhead	5
STF-X-21SP/218BJ-4F/9SM/5M- BR023-00	Single	9/125	4	4xLC	Sq. Fl. Bulkhead	5
STF-X-21SP/215BJ-2F/9SM/10M-BR023-00	Single	9/125	2	2xLC	Sq. Fl. Bulkhead	10
STF-X-21SP/218BJ-4F/9SM/10M- BR023-00	Single	9/125	4	4xLC	Sq. Fl. Bulkhead	10
STF-X-23SP/235BJ-2F/5MM/1M-BR023-00	Multi	50/125	2	2xLC	Sq. Fl. Bulkhead	1
STF-X-23SP/238BJ-4F/5MM/1M-BR023-00	Multi	50/125	4	4xLC	Sq. Fl. Bulkhead	1
STF-X-23SP/235BJ-2F/5MM/2M-BR023-00	Multi	50/125	2	2xLC	Sq. Fl. Bulkhead	2
STF-X-23SP/238BJ-4F/5MM/2M-BR023-00	Multi	50/125	4	4xLC	Sq. Fl. Bulkhead	2
STF-X-23SP/235BJ-2F/5MM/3M-BR023-00	Multi	50/125	2	2xLC	Sq. Fl. Bulkhead	3
STF-X-23SP/238BJ-4F/5MM/3M-BR023-00	Multi	50/125	4	4xLC	Sq. Fl. Bulkhead	3
STF-X-23SP/235BJ-2F/5MM/5M-BR023-00	Multi	50/125	2	2xLC	Sq. Fl. Bulkhead	5
STF-X-23SP/238BJ-4F/5MM/5M-BR023-00	Multi	50/125	4	4xLC	Sq. Fl. Bulkhead	5
STF-X-23SP/235BJ-2F/5MM/10M-BR023-00	Multi	50/125	2	2xLC	Sq. Fl. Bulkhead	10
STF-X-23SP/238BJ-4F/5MM/10M-BR023-00	Multi	50/125	4	4xLC	Sq. Fl. Bulkhead	10
STF-X-25SP/225BJ-2F/6MM/1M-BR023-00	Multi	62.5/125	2	2xLC	Sq. Fl. Bulkhead	1
STF-X-25SP/228BJ-4F/6MM/1M-BR023-00	Multi	62.5/125	4	4xLC	Sq. Fl. Bulkhead	1
STF-X-25SP/225BJ-2F/6MM/2M-BR023-00	Multi	62.5/125	2	2xLC	Sq. Fl. Bulkhead	2
STF-X-25SP/228BJ-4F/6MM/2M-BR023-00	Multi	62.5/125	4	4xLC	Sq. Fl. Bulkhead	2
STF-X-25SP/225BJ-2F/6MM/3M-BR023-00	Multi	62.5/125	2	2xLC	Sq. Fl. Bulkhead	3
STF-X-25SP/228BJ-4F/6MM/3M-BR023-00	Multi	62.5/125	4	4xLC	Sq. Fl. Bulkhead	3
STF-X-25SP/225BJ-2F/6MM/5M-BR023-00	Multi	62.5/125	2	2xLC	Sq. Fl. Bulkhead	5
STF-X-25SP/228BJ-4F/6MM/5M-BR023-00	Multi	62.5/125	4	4xLC	Sq. Fl. Bulkhead	5
STF-X-25SP/225BJ-2F/6MM/10M-BR023-00	Multi	62.5/125	2	2xLC	Sq. Fl. Bulkhead	10
STF-X-25SP/228BJ-4F/6MM/10M-BR023-00	Multi	62.5/125	4	4xLC	Sq. Fl. Bulkhead	10

Shown trademarks are property of their respective owners.

While the information contained herein in this catalog, has been carefully compiled to the best of our knowledge, nothing is intended as representation and warranty on our part; and no statement shall be construed as recommendation to infringe any of existing patents. We accept no liability of whatsoever for any faults and errors in the information contained herein. Contents of this catalogue and specifications of the products, are subject to change without notice due to continuous improvements.